



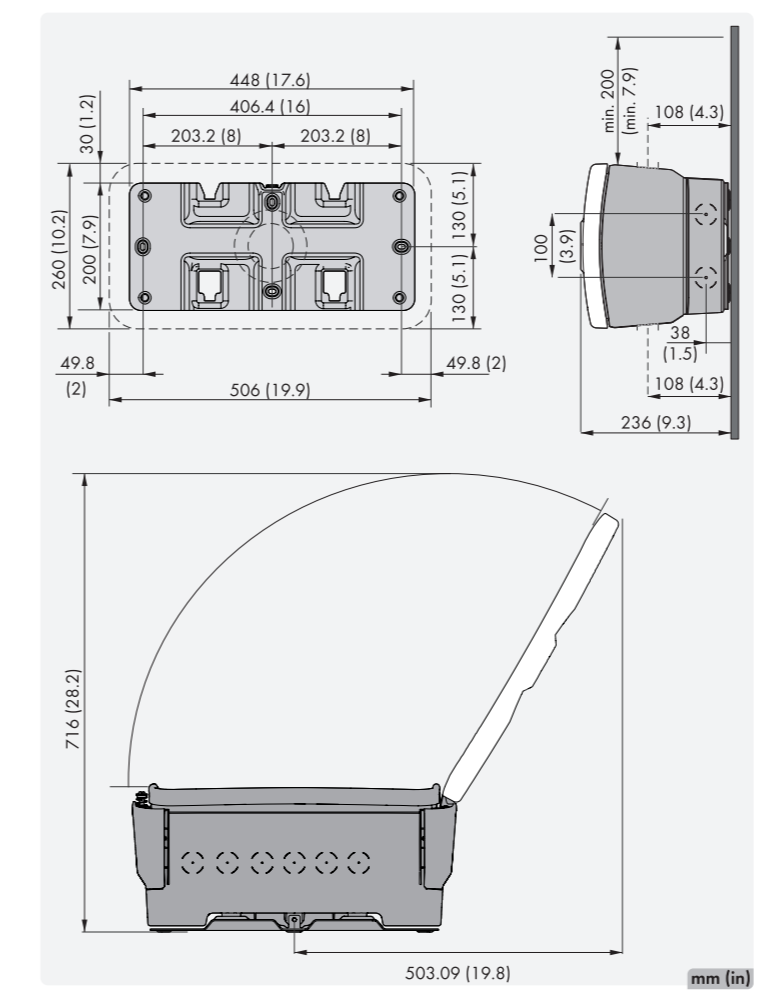
IP65/3R

90° ... 80°
0°

6.1 kg
(13.4 lb)

+55 °C
(+131 °F)
-40 °C
(-40 °F)

max. 3000 m
(max. 9840 ft)



1

2

3

4

5

6

7

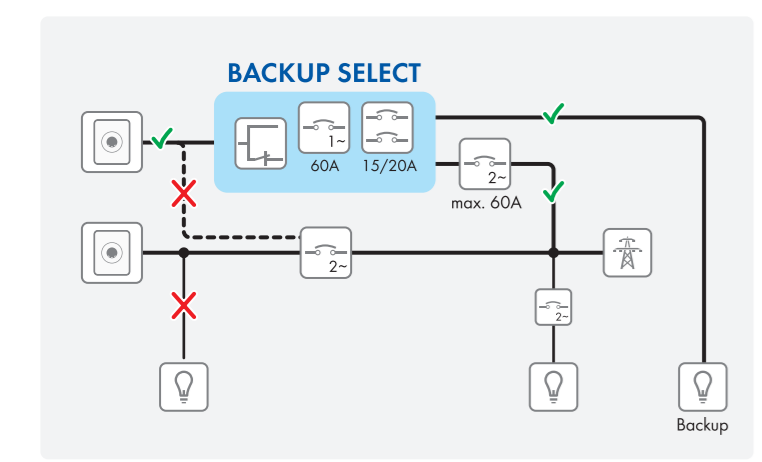
1

2

3

4

TX20



1

2

3

4x

optional

TX20

Inverter to Main Panel

10 to 16 mm² (AWG 6 to 4)
PE N L2 L1
Temp. requirement: ≥90 °C (194 °F)

LOAD

1.5 to 6 mm² (AWG 16 to 10)
L1
Temp. requirement: ≥90 °C (194 °F)

SPS IN

0.2 to 1.5 mm² (AWG 24 to 16)
1 2
6 mm (0.24 in)
Temp. requirement: ≥90 °C (194 °F)

SPS OUT

1.5 to 2.5 mm² (AWG 16 to 14)
N L
10 to 12 mm (0.39 to 0.47 in)
Temp. requirement: ≥90 °C (194 °F)

INV

6 to 16 mm² (AWG 10 to 4)
PE N L2 L1
18 mm (0.71 in)
Temp. requirement: ≥90 °C (194 °F)

INV + SPS IN & OUT

AC LOAD AC GRID

1

2

AC LOAD INV AC GRID

≤ 5.5 mm (≤ 0.22 in)

LOADS L1

GRID N INV N

L1 L2 L1 L2 PE
INV GRID

SPS IN & OUT

≤ 3.5 mm (≤ 0.14 in)

N L

SPS OUT

2 1

SPS IN

1

2

3

4x

TX20

SPS IN AC SPS OUT

DC COM AC



<https://go.sma.de/service>

