

Multicluster Box 6.3-11



This document contains the connection overviews of the product and supplements the existing installation manual. Activities may only be carried out if you have read and understood the installation manual.

Contact

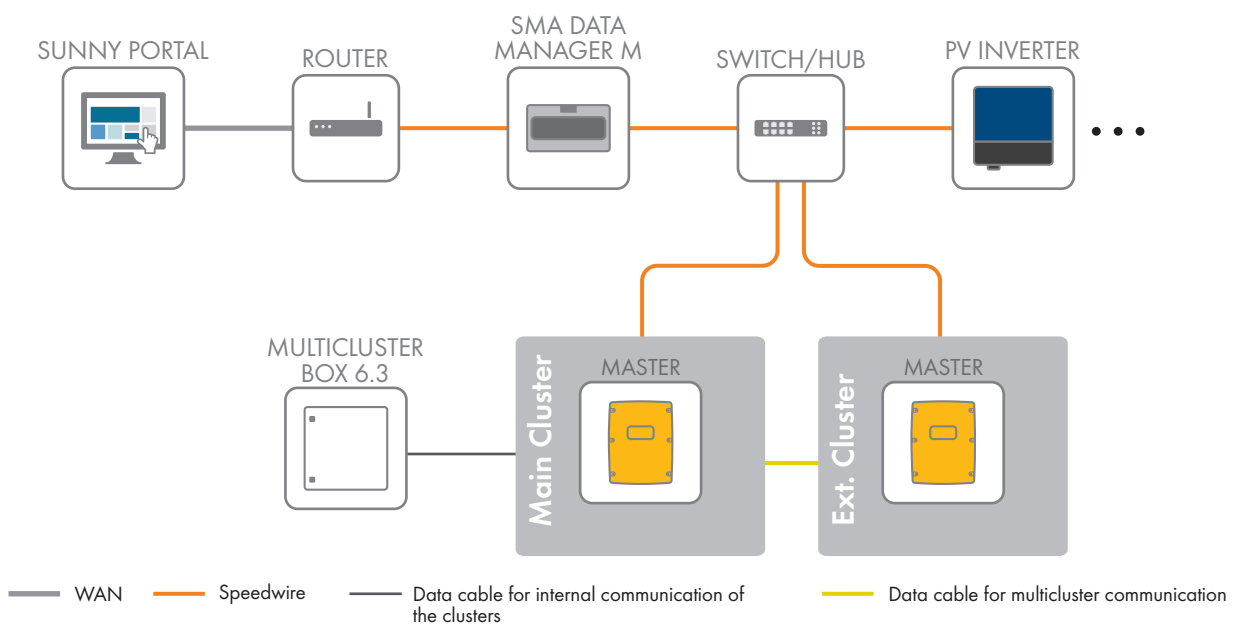
SMA Solar Technology AG

Sonnenallee 1

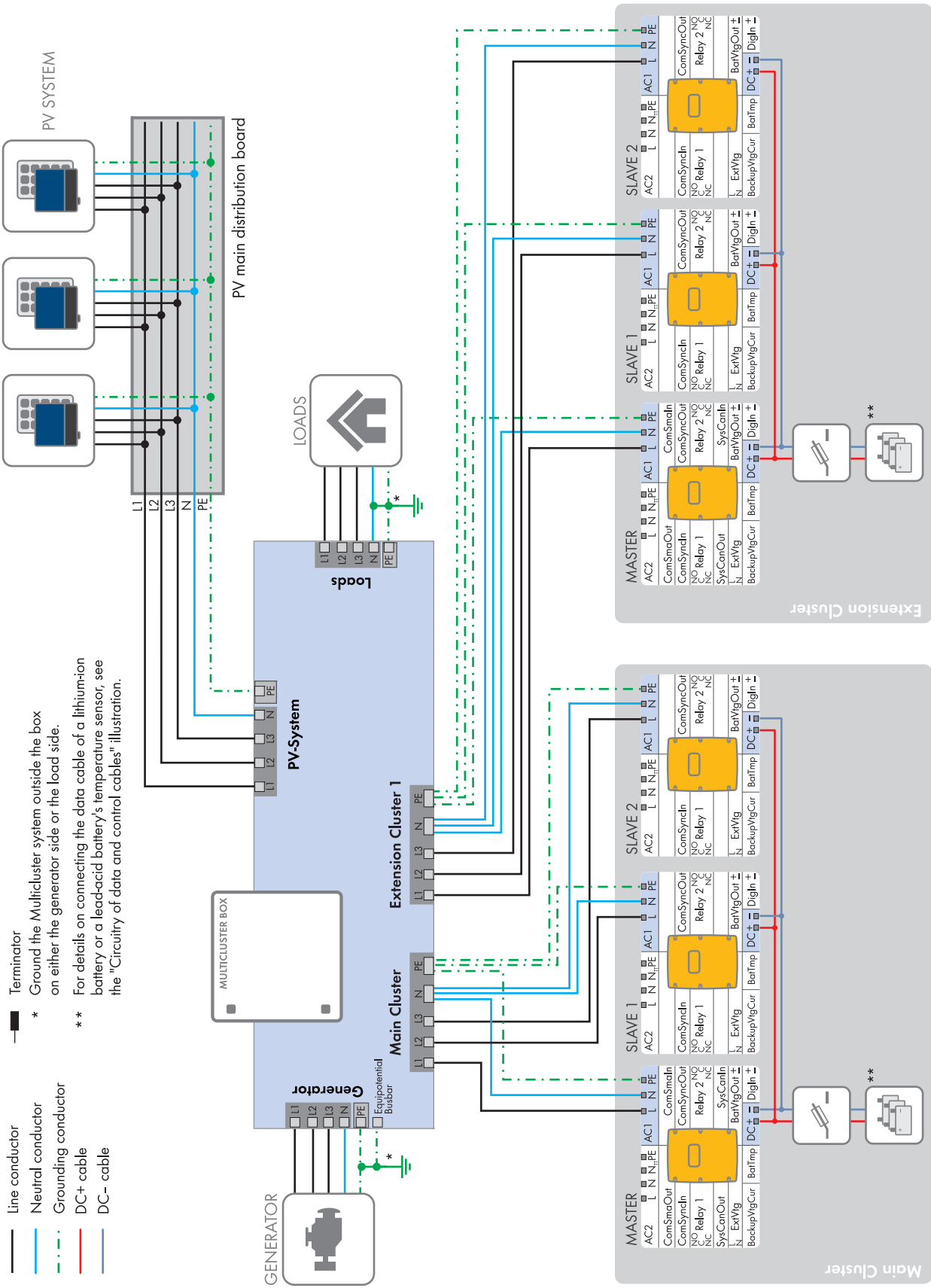
34266 Niestetal

www.SMA-Solar.com

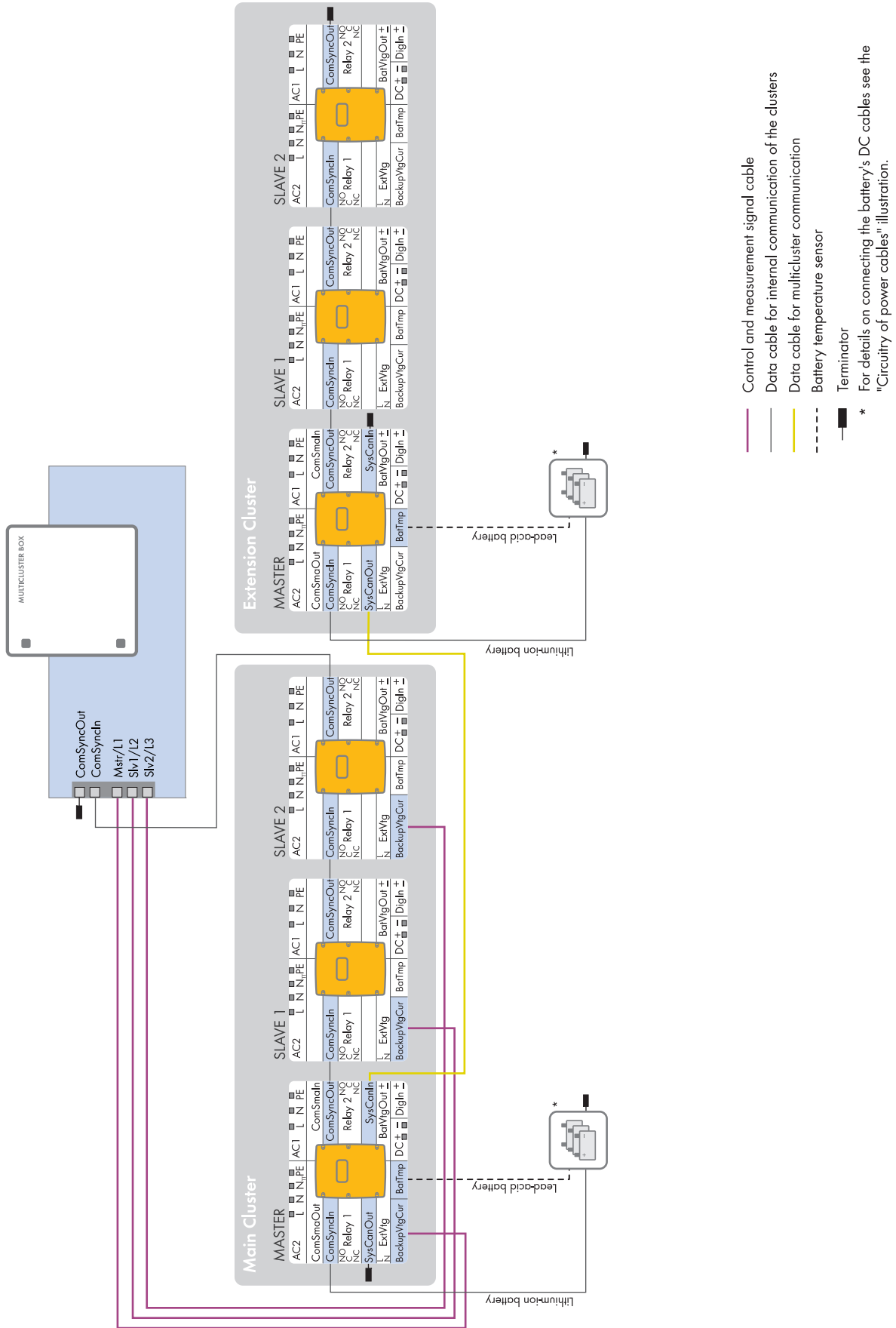
Communication principle



Power Cable Circuitry



Circuitry of data and control cable



SMA Solar Technology

www.SMA-Solar.com

