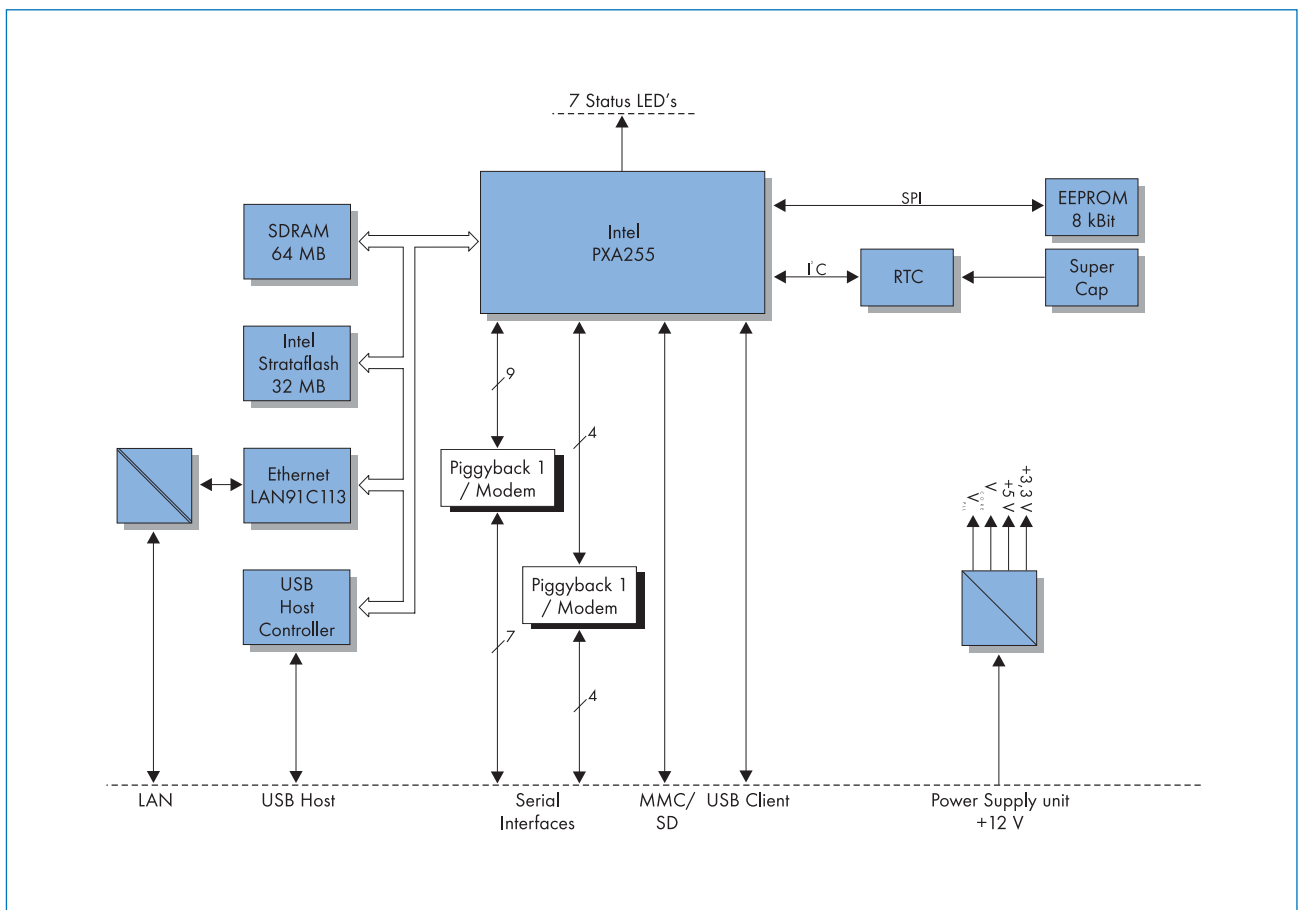


ENDURO Compact

Compact XScale PC

The Enduro Compact, just like the Enduro Mobile PC/PLC, is a rugged computer platform for industrial and mobile applications, including data acquisition, data evaluation and visualization on any PC with a standard browser. The Enduro Compact communicates via RS232, RS485, Powerline or radio transmission. It offers a low-price option for an industrial PC solution.

- Intel XScale PXA255 (200 / 400 MHz)
- Windows CE, CoDeSys
- COM, USB, Ethernet
- FRAM, Flash memory, SD card





About SMA

CPU's

Piggybacks

I/O Modules

Systems
Technology

Single Board
Computers

Display
Systems

Mobile
Applications

Software

References

Technical Data

CPU Core:

Processor Intel PXA255
Clock frequency 200 MHz or 400 MHz

Main Memory:

SDRAM 64 MB
Data width 32 Bit

Programm/Data Memory:

Flash 32 MB

Interfaces:

- one Fast Ethernet interface
- two serial interfaces, standard definable via piggyback
- two USB interfaces
- one Modem slot

Mass Storage:

one SD/MMC slot

Power Supply:

via external power supply unit +12 V to + 48 V DC;
typ. 200 mA at 12 V; max. 850 mA
plus piggybacks, USB devices and modem

Ambient Temperature:

-25 °C to +70 °C

Size:

100 mm x 185 mm