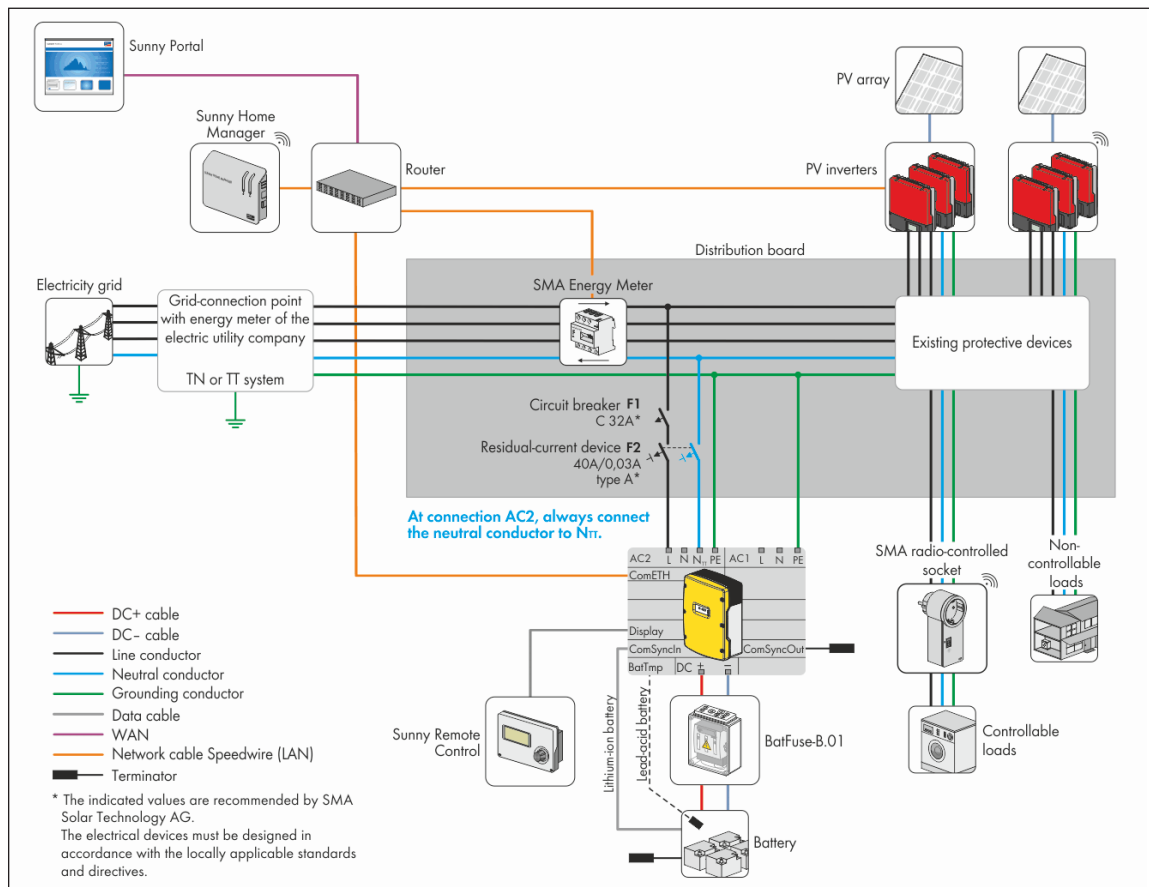




Manufacturer's Declaration

SMA Solar Technology AG hereby declares that the earthing arrangements of SMA Sunny Island SI 6.0H-11 and SI 8.0H-11 within the SMA FSS (Flexible Storage System) as shown in block diagram 1, 2 and 3 follow the Engineering Recommendations G59/2-1 Issue 2. Amendment 1st of April 2011 Figur 8.9.

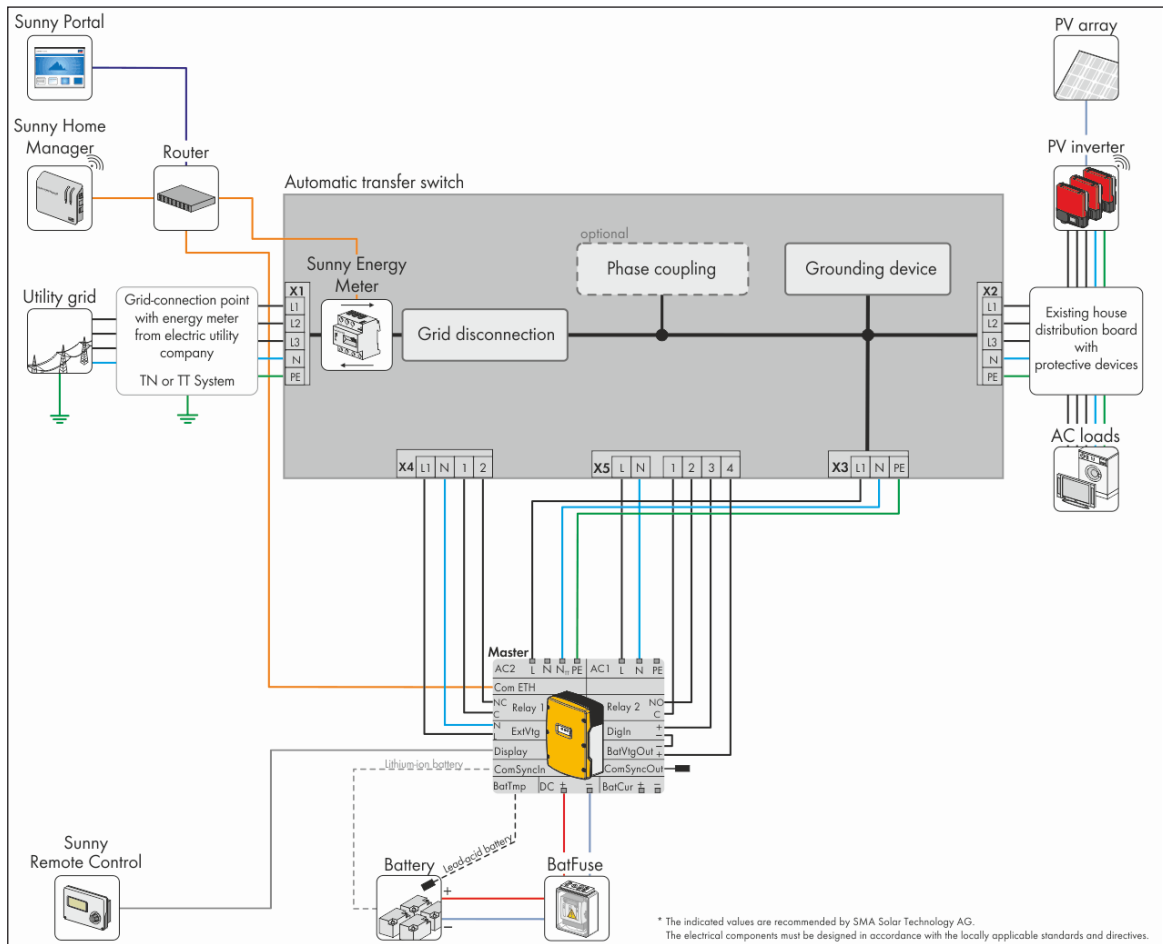


Block diagram 1: FSS self consumption optimisation (only one phase of a possible three phase system is shown to aid clarity)

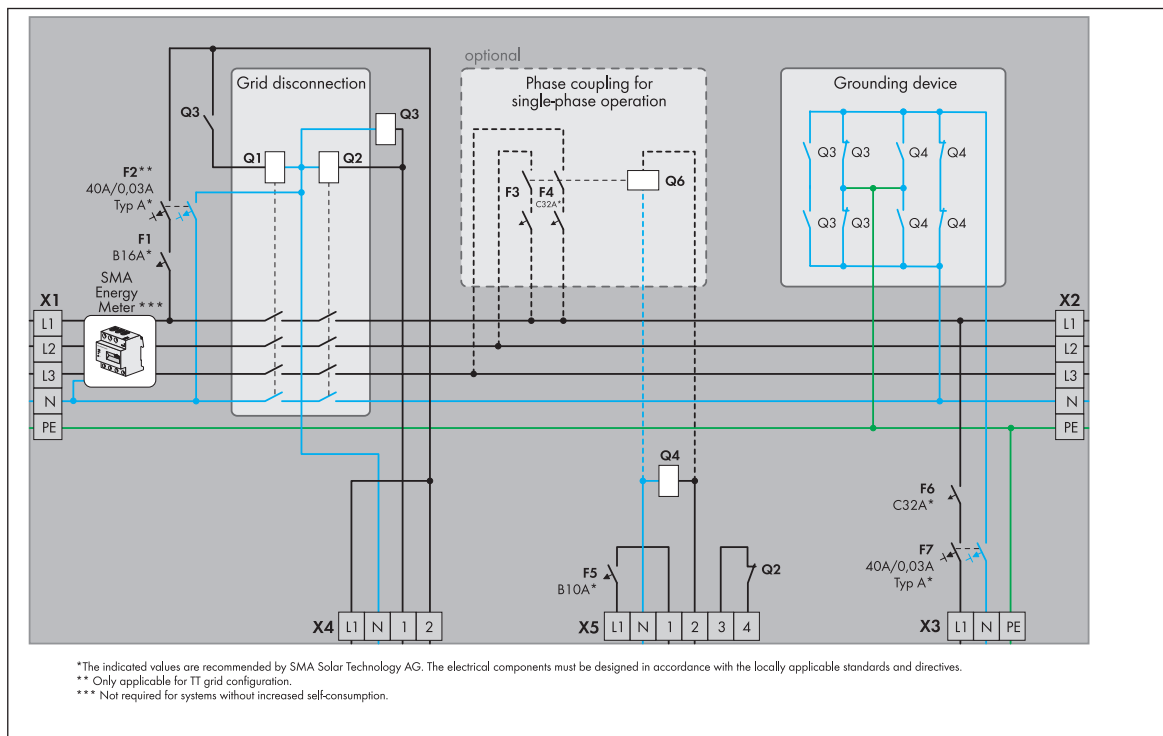
Niestetal, 28 January 2014
SMA Solar Technology AG

ppa. Frank Greizer

ppa. Frank Greizer
 (Vice President MPTPD)



Block diagram 2: FSS self consumption optimisation with back-up functionality (only one phase of a possible three phase system is shown to aid clarity)



Block diagram 3: Automatic transfer switch for FSS self consumption optimisation with back-up functionality