

Central Inverter

SUNNY CENTRAL Inverters of the HE-20 and CP Series

Unpacking and Transport Manual

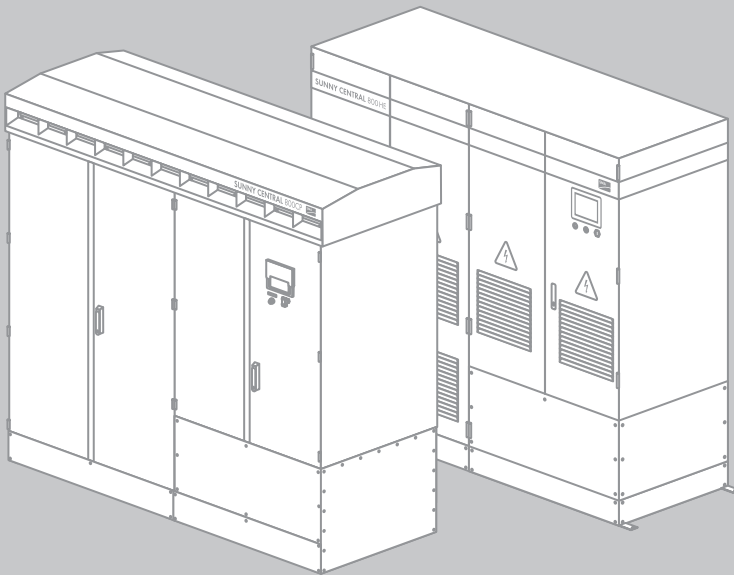


Table of Contents

1	Information on this Manual.	5
2	Safety	7
2.1	Safety Precautions.	7
2.2	Qualification of Skilled Workers.	7
3	Storage	7
4	Unpacking the Inverter	8
4.1	Unpacking the Inverter after Air and Sea Transport	8
4.1.1	Checking for Transport Damages	8
4.1.2	Parts of the Transport Case and Centre of Gravity	9
4.1.3	Symbols on the Transport Case	10
4.1.4	Removing the Transport Case	11
4.1.5	Removing the Transport Protection Cover	12
4.1.6	Unscrewing the Inverter from the Wooden Pallet	13
4.2	Unpacking the Inverter after Carriage by Land	14
4.2.1	Removing the Transport Protection Cover	14
4.2.2	Removing the Packing Bands	14
4.2.3	Removing the Shipping Packaging	15
5	Transporting the Inverter.	16
5.1	Safety during Transport.	16
5.2	Centre of Gravity of the Inverter.	16
5.3	Transporting the Inverter with Transport Case.	17
5.3.1	Transporting the Transport Case using a Crane Fork	17
5.3.2	Transporting the Transport Case using a Forklift Truck	17
5.3.3	Transporting the Transport Case using a Crane	18
5.3.4	Transporting the Transport Case by Pulling.	19

5.4	Transporting the Inverter without Transport Packaging	20
5.4.1	Transporting the inverter using a crane fork	20
5.4.2	Transporting the Inverter using a Forklift Truck	20
5.4.3	Transporting the Inverter using a Pallet Truck	21
5.4.4	Transporting the Inverter using a Crane	21
5.4.5	Transporting the Sunny Central HE using a Crane	27
6	Unpacking the Inverter Components	28
6.1	Design of the Inverter	28
6.2	Position of the Keys	28
6.3	Unpacking the Filter Plate and Kick Plates	29
6.3.1	Unpacking the Filter Plate and Kick Plates of the Sunny Central CP	29
6.3.2	Unpacking the Kick Plates of the Sunny Central HE	29
6.4	Unpacking the Accessories	29
6.5	Removing the Touch Display Packaging	30
7	Scope of Delivery	31
8	Transport Packaging Dimensions	33
9	Contact	34

1 Information on this Manual

Validity

This manual applies to the following device types:

- SC 500HE (SC 500HE-20)
- SC 630HE (SC 630HE-20)
- SC 720HE (SC 720HE-20)
- SC 760HE (SC 760HE-20)
- SC 800HE (SC 800HE-20)
- SC 500CP
- SC 630CP
- SC 720CP
- SC 760CP
- SC 800CP

Target Group






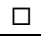
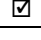
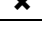
This manual is intended for skilled persons. Only qualified personnel with the relevant skills are allowed to perform the tasks set forth in this manual (see section 2.2 "Qualification of Skilled Workers", page 7).

Additional Information

Additional information is available at www.SMA.de/en.

Document Title	Document Type
Installation Requirements - Important information on transportation and installation for Sunny Central 500HE/630HE/720HE/760HE/800HE	Technical Information
Installation Requirements - Important information on transportation and installation for Sunny Central 500CP/630CP/720CP/760CP/800CP	Technical Information

Symbols

Symbol	Explanation
	Indicates a hazardous situation which, if not avoided, will result in death or serious injury.
	Indicates a hazardous situation which, if not avoided, could result in death or serious injury.
	Indicates a hazardous situation which, if not avoided, could result in minor or moderate injury.
	Indicates a situation which, if not avoided, can result in property damage.
	Indicates information that is important for a specific topic or objective, but is not safety-relevant.
	Indicates a requirement for meeting a specific goal.
	Desired result
	A problem that could occur.

Nomenclature

In this manual, the Sunny Central 500HE/630HE/720HE/760HE/800HE and Sunny Central 500CP/630CP/720CP/760CP/800CP are referred to as inverters.

2 Safety

2.1 Safety Precautions

Inverter damage

Information labels on the inverter can be damaged during unpacking and transportation.

- Check the information labels on the inverter for damage after unpacking and transportation.
- Replace any damaged information label. Order new information labels from the SMA Service Line (see 9 "Contact", page 34).

2.2 Qualification of Skilled Workers

The tasks described in this manual may only be performed by skilled persons. Skilled persons must have the following qualifications:

- Knowledge of and adherence to this manual and all safety precautions

3 Storage

NOTICE

Penetrating moisture can damage the inverter.

- Do not store the inverter in the transport case for longer than 6 months.
- Close the inverter before storage.
- Only store in a dry, covered location. Ensure that the IP21 degree of protection requirements are met.
- The temperature at the storage location must be between -20°C ... $+50^{\circ}\text{C}$.

NOTICE

An uneven surface can damage the frame construction.

- The surface must be suitable for the weight of the inverter of 1 900 kg.
- The unevenness of the surface must be lower than 0.25%.

4 Unpacking the Inverter

4.1 Unpacking the Inverter after Air and Sea Transport

4.1.1 Checking for Transport Damages

Two impact indicators are affixed to the transport case to aid with checking for transport damages. The impact indicators show whether the inverter has suffered an impact during transport that could have damaged the inverter.

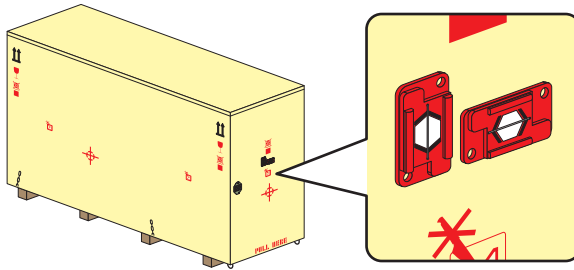


Figure 1: Impact indicators

- Check the impact indicators upon delivery.

How the impact indicator shows irregular transport of the transport case is either displayed on the impact indicator or in an impact indicator manual included in the delivery.

4.1.2 Parts of the Transport Case and Centre of Gravity

The inverter is packed in a transport case for air and sea transport.

The transport case is made up of 6 parts.

- Front panel
- Back panel
- Left-hand side panel
- Right-hand side panel
- Base
- Roof

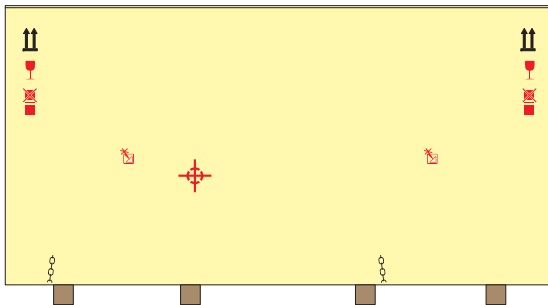








Figure 2: Transport case

4.1.3 Symbols on the Transport Case

The following symbols are affixed to the transport case:

Symbol	Designation
	Transport the transport case with this side above.
	The transport case content is fragile.
	Do not use any sharp tools to open the transport case.
	Do not place anything on the transport case.
	Transport case centre of gravity
	Position for transport using a crane.

4.1.4 Removing the Transport Case

⚠ CAUTION

Danger of crushing due to heavy, bulky transport case side panels.

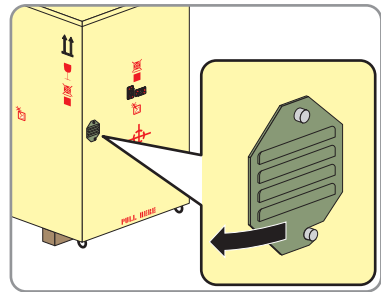
The transport case side panels and roof are heavy and bulky.

- Always dismantle the side panels and the roof with 2 people.

The transport case is closed with Torx screws. On the right-hand side panel of the transport case is a flap, behind which a bit is stored.

Preparing the tool:

1. Push the flap to the left.
 2. Pull out the bag with bit from the flap.
 3. Take the bit out of the bag.
 4. Insert the bit into the power screwdriver.
- The tool is prepared.



Removing the transport case parts:

The screw points on the transport case are marked in red.

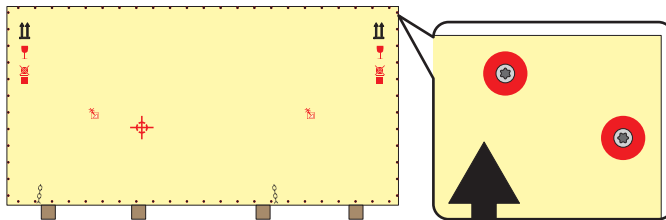


Figure 3: Identification of the screw points

1. Remove the Torx screws from the roof.
2. Remove the roof.
3. Remove the Torx screws from the back panel.
4. Remove the back panel.
5. Remove the Torx screws from the front panel.
6. Remove the front panel.
7. Remove the Torx screws from the right-hand side panel.
8. Remove the right-hand side panel.
9. Remove the Torx screws from the left-hand side panel.
10. Remove the left-hand side panel.
- The transport case has been removed.

4.1.5 Removing the Transport Protection Cover

1. Open the transport protection cover using a knife or a pair of scissors.
2. Remove the transport protection cover from the inverter.
3. Cut through the adhesive tapes on the shipping carton for the filter plates. Hold the shipping carton tightly whilst doing so.

4.1.6 Unscrewing the Inverter from the Wooden Pallet

⚠ WARNING

Danger of crushing through the inverter tipping

Once the screws have been removed the inverter is no longer secured and can tip from the pallet during transport.

- Do not transport the inverter on the pallet once the screws have been removed.

The inverter is attached to the wooden pallet with screws.

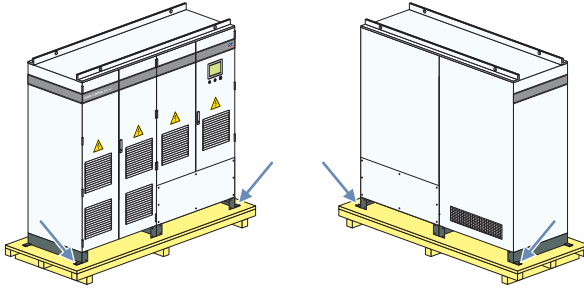


Figure 4: Position of the screws on the Sunny Central of the HE production series

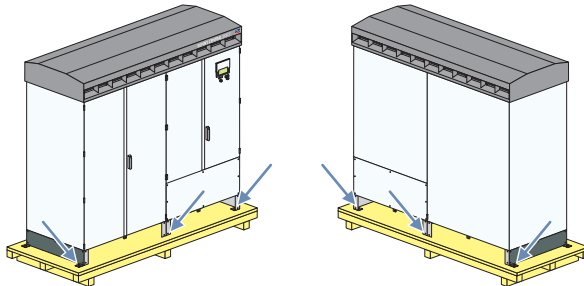


Figure 5: Position of the screws on the Sunny Central of the CP production series

- Remove the screws from the wooden pallet.

4.2 Unpacking the Inverter after Carriage by Land

4.2.1 Removing the Transport Protection Cover

1. Open the transport protection cover using a knife or a pair of scissors.
2. Remove the transport protection cover from the inverter.

4.2.2 Removing the Packing Bands

CAUTION

Cuts due to the packing bands springing out

The packing bands are under tension and spring out when cut.

- Wear personal protective equipment.
- Maintain a safe distance from the packing bands.

For surface transport of the inverter the shipping packaging is attached to the wooden pallet using packing bands.

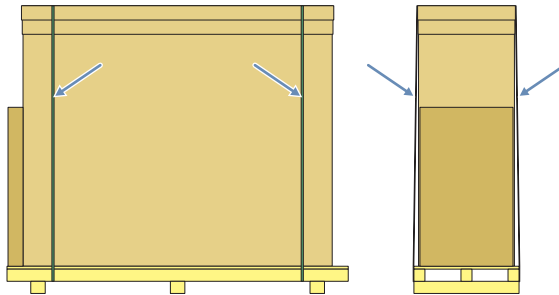


Figure 6: Packing bands on the packed inverter

1. Cut through the packing bands using a knife.
2. Remove the packing bands.

4.2.3 Removing the Shipping Packaging

⚠ CAUTION

Crushing through falling shipping carton for the filter plate

Shipping carton can fall when being removed from the inverter.

- Wear personal protective equipment.
- Hold the shipping carton tightly when removing.

NOTICE

Damage to the inverter finishing or display through sharp objects

The inverter finishing or display can be damaged during opening of the shipping packaging using a sharp object.

Damage to the inverter finishing or the display

- Do not cut deeply into the shipping packaging.
1. Cut through the adhesive tapes on the shipping carton for the filter plates. Hold the shipping carton tightly whilst doing so.
 2. Remove the shipping carton for the filter plates from the wooden pallet of the inverter.
 3. Remove the cover of the inverter shipping packaging.
 4. Remove the shipping packaging:
 - For the Sunny Central HE, cut through the adhesive tapes using a knife or a pair of scissors and remove the shipping packaging from the Sunny Central.
 - For the Sunny Central CP, remove the 6 clips from the holes in the shipping packaging and remove the shipping packaging from the Sunny Central.
 5. Unscrew the inverter from the wooden pallet (see section 4.1.6 "Unscrewing the Inverter from the Wooden Pallet", page 13).

5 Transporting the Inverter

5.1 Safety during Transport

Crushing

Danger of crushing through tipping, falling or swinging of raised or hanging Sunny Central

The inverter can tip or fall as a result of careless or too-fast lifting and transporting.

- Always transport the inverter as close to the floor as possible.
- Use all attachment points for transporting.
- Only use transport material and lifting tools that are designed for the weight of the inverter of 1 900 kg.
- Avoid fast and jerky movements during transport.
- Always maintain a sufficient safety distance from the inverter during transport.

Inverter damage

Damage to the inverter due to inappropriate transport.

- Only place the inverter on secure, level surfaces. Uneven surfaces can lead to the inverter buckling and the doors no longer closing correctly. As a result moisture and dust can penetrate the interior of the inverter.

5.2 Centre of Gravity of the Inverter

The centre of gravity of the inverter is not in the middle of the inverter. Take this into consideration during transport.

The centre of gravity of the inverter is marked with the centre of gravity symbol on the transport case, the packaging and on the enclosure.

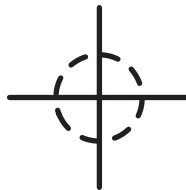


Figure 7: Centre of gravity symbol

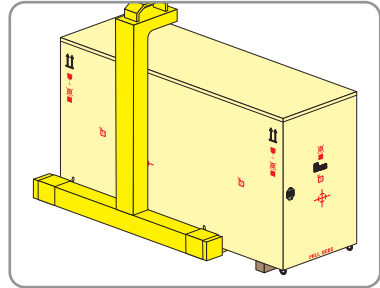
5.3 Transporting the Inverter with Transport Case

5.3.1 Transporting the Transport Case using a Crane Fork

Requirements:

- The crane and crane fork are designed for the weight of the inverter.
- The crane fork is correctly connected to the crane.

1. Drive the forks of the crane fork under the transport case at the positions marked. Observe the centre of gravity of the transport case when doing so.



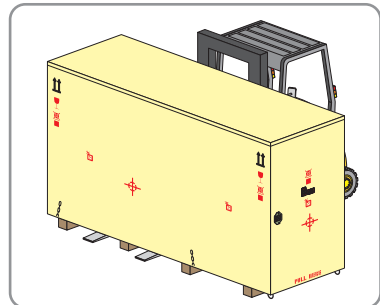
2. Slowly lift the transport case using the crane fork.
3. Secure the transport case against tipping.
4. Transport the transport case to the location of installation and place on a fortified and level surface.

5.3.2 Transporting the Transport Case using a Forklift Truck

Requirements:

- The forklift truck is designed for the weight of the inverter.

1. Drive the forklift truck completely under the transport case at the marked positions. When doing so observe the centre of gravity of the transport case and drive the forklift truck completely under the transport case.



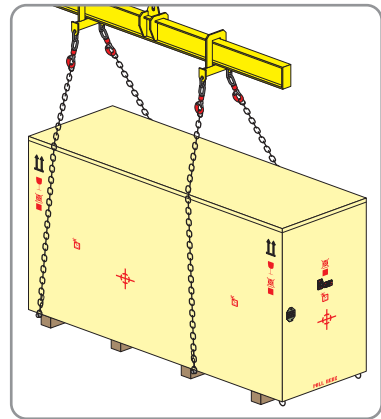
2. Slowly lift the transport case.
3. Secure the transport case against tipping.
4. Transport the transport case to the location of installation and place on a fortified and level surface.

5.3.3 Transporting the Transport Case using a Crane

Requirements:

- The crane and lifting gear are designed for the weight of the inverter.
- The lifting gear is correctly connected to the crane.
- The inverter roof is dismantled.

1. Push the crane chains under the transport case at the positions marked. Observe the centre of gravity of the transport case when doing so.



2. Hang the crane chains in the crane hook.
3. Slowly lift the crane hook until the lifting gear is under tension.
4. Ensure that the lifting gear is correctly attached.
5. Lift the transport case slightly.
6. Transport the transport case as close to the floor as possible.
7. Transport the transport case to the installation site and place on a fortified and level surface.

5.3.4 Transporting the Transport Case by Pulling

NOTICE

Damage to the inverter due to inappropriate transport

Jerking of the inverter when pulling the transport case over uneven floors.

- Only pull the transport case over even floors.
- Pull the transport case slowly.

Eyes are attached below the right-hand and left-hand side panels for transporting the transport case.

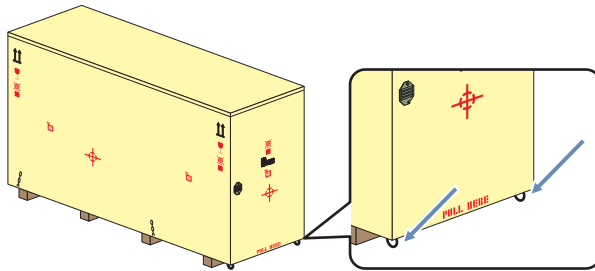


Figure 8: Transport eyes

1. Attach transport hooks to the eyes.
2. Pre-tense the transport material.
3. Transport the transport case.

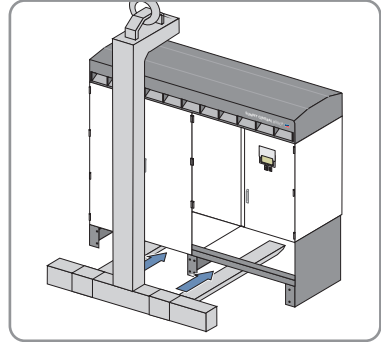
5.4 Transporting the Inverter without Transport Packaging

5.4.1 Transporting the inverter using a Crane Fork

Requirements:

- The crane and crane fork are designed for the weight of the inverter.
- The crane fork is correctly connected to the crane.

1. Drive the forks of the crane fork from the front side or from the back side of the inverter under the inverter. When doing so observe the centre of gravity of the inverter and drive with the forks completely under the inverter.



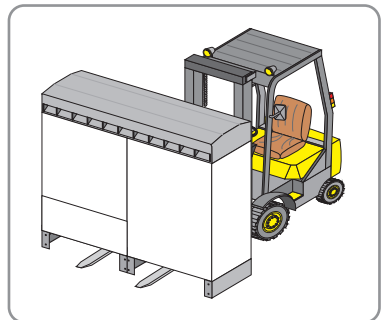
2. Slowly lift the inverter using the crane fork.
3. Transport the inverter to the location of installation and place on a fortified and level surface.

5.4.2 Transporting the Inverter using a Forklift Truck

Requirements:

- The forklift truck is designed for the weight of the inverter.

1. Drive the forklift truck from the front side or from the rear side of the inverter under the inverter. When doing so observe the centre of gravity of the inverter and drive with forklift truck completely under the inverter.

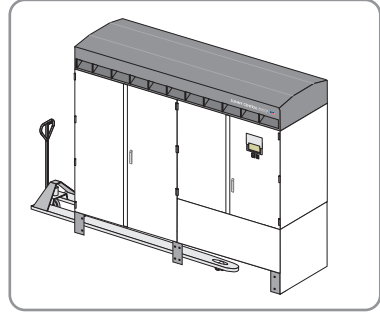


2. Secure the inverter against tipping, e.g. using tension belts.
3. Lift the inverter slightly.
4. Transport the inverter to the location of installation and place on a fortified and level surface.

5.4.3 Transporting the Inverter using a Pallet Truck

Requirements:

- The pallet truck is designed for the weight of the inverter.
1. If the inverter is to be transported on a wooden pallet, drive the pallet truck from the side under the inverter.



2. If the inverter is to be transported without a wooden pallet, only drive the pallet truck from the front side of the inverter cabinet under the inverter. Ensure that the kick plates of the inverter are not damaged by the forks whilst doing so.
3. Secure the inverter against tipping, e.g. using tension belts.
4. Lift the inverter slightly.
5. Transport the inverter to the location of installation and place on a fortified and level surface.

5.4.4 Transporting the Inverter using a Crane

Transporting the Sunny Central CP with a crane

Removing the inverter roof

CAUTION

Danger of crushing due to heavy, bulky roof.

The inverter roof weighs 30 kg and is bulky. Trying to move the roof on your own can cause crushing.

- 2 people are necessary for the removal of the roof.

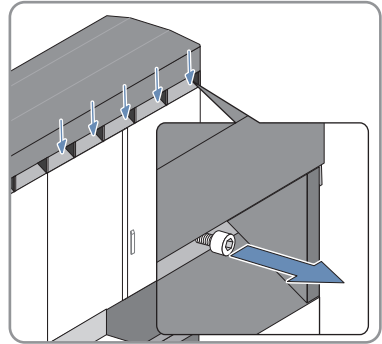
NOTICE

Property damage by pulling out the PE cable.

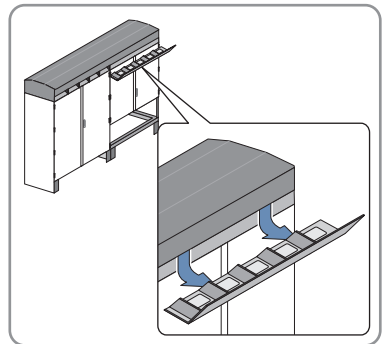
The roof is connected to the inverter by a PE cable.

- When dismantling the panels, ensure that the PE cable is not damaged.

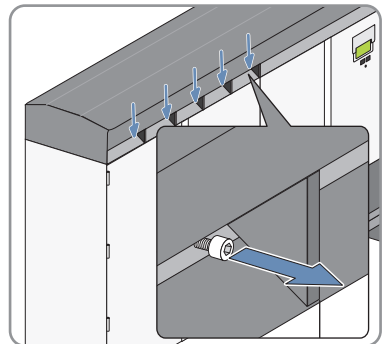
1. Remove the screws of the right-hand ventilation grid.



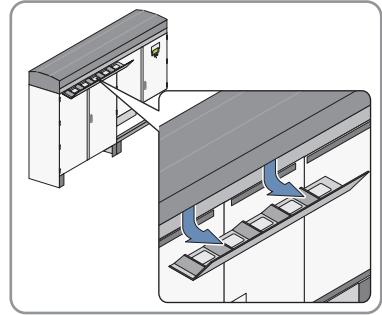
2. Pull the lower side of the right-hand ventilation grid to the front. Remove the ventilation grid.



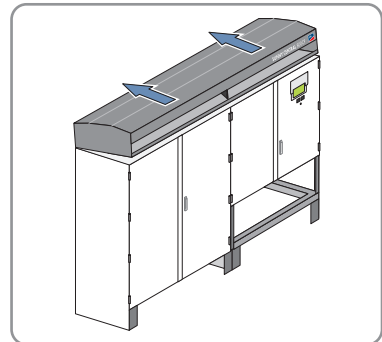
3. Remove the screws of the left-hand ventilation grid.



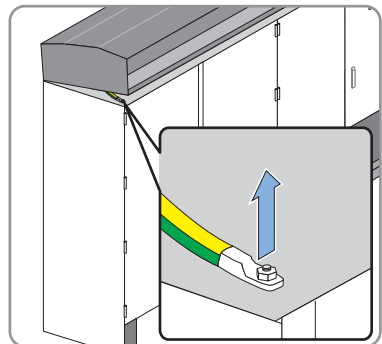
4. Pull the lower side of the left-hand ventilation grid to the front. Remove the ventilation grid.



5. Pull the front edge of the roof to the front and push upwards.
6. Push the roof slightly to the rear. In doing so you push the roof out of the rails.



7. Remove the PE cable from the inverter.

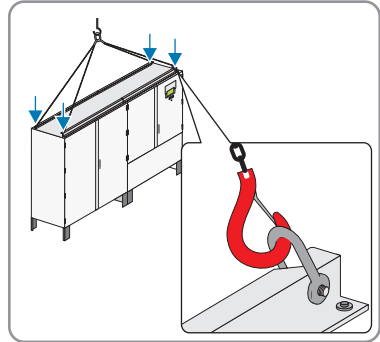


8. Remove the inverter roof and place on a suitable surface.

Transporting the Inverter

Requirements:

- The crane and lifting gear are designed for the weight of the inverter.
 - The lifting gear is correctly connected to the crane.
 - The inverter roof is dismantled.
1. Hang the lifting gear in all 4 crane eyes on the inverter.
 2. Slowly lift the crane hook until the lifting gear is under tension.



3. Ensure that the lifting gear is correctly attached.
4. Lift the inverter slightly.
5. Transport the inverter as close to the floor as possible.
6. Transport the inverter to the installation site and place on a fortified and level surface.

Mounting the inverter roof

CAUTION

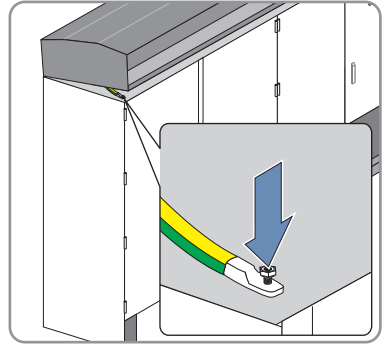
Danger of crushing due to heavy, bulky roof

The inverter roof weighs 30 kg and is bulky. Trying to move the roof on your own can cause crushing.

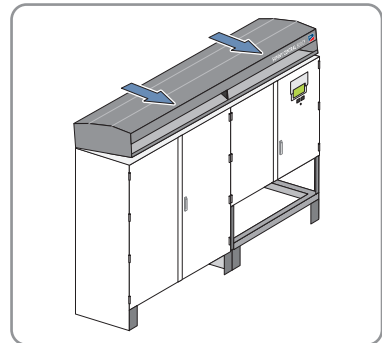
- Move the roof with at least 2 people.

1. Lay the roof on the inverter.

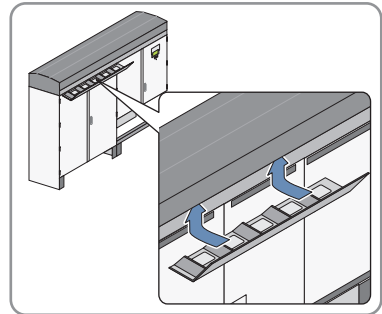
2. Screw the PE cable onto the inverter (torque: 14.2 Nm).



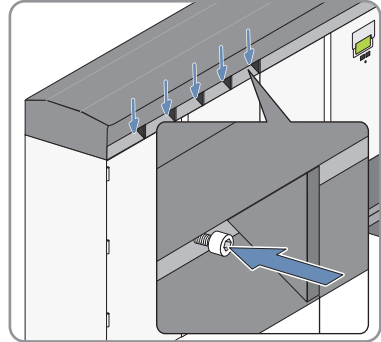
3. Push the roof into the rail on the inverter and pull to the front.



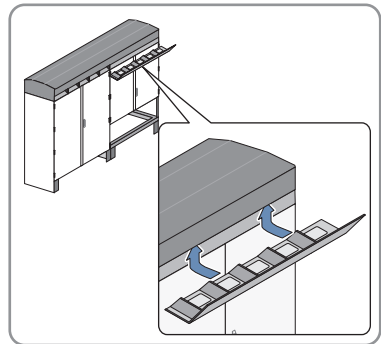
4. Push the roof downwards.
5. Insert the left-hand ventilation grid.



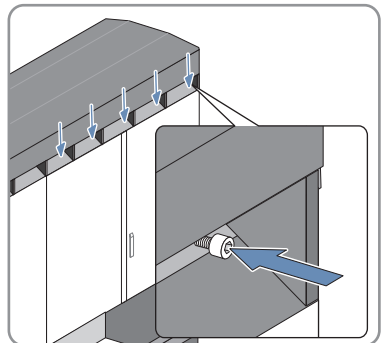
6. Screw the left-hand ventilation grid into place (torque: 20 Nm).



7. Insert the right-hand ventilation grid.

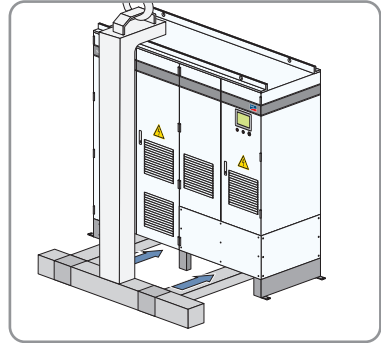


8. Screw the right-hand ventilation grid into place (torque: 20 Nm).

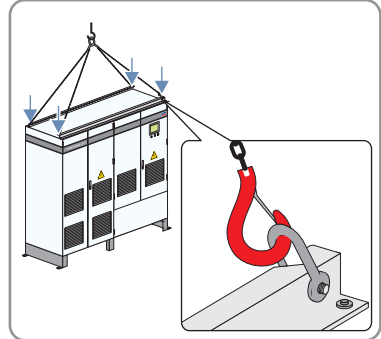


5.4.5 Transporting the Sunny Central HE using a Crane

1. Hang the load hooks of the steel cables, steel chains or the shackles of the lifting hook in all 4 crane eyes on the inverter.
2. If the inverter is to be transported using the crane fork, drive the crane fork on the front side under the inverter.



3. Slowly lift the crane hook until the steel cables or steel chains are under tension.



4. Ensure that all steel cables and load hooks or load beams and shackles are correctly attached.
5. Lift the inverter slightly.
6. Transport the inverter to the location of installation and place on a fortified and level surface.

6 Unpacking the Inverter Components

6.1 Design of the Inverter

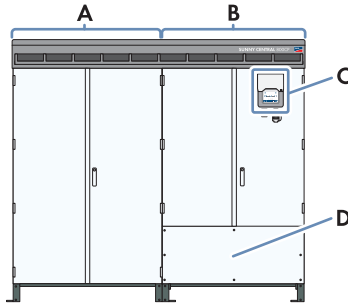


Figure 9: Design of the inverter using a Sunny Central CP as an example

Position	Designation
A	Inverter cabinet
B	Connection cabinet
C	Display
D	Front panel of the connection cabinet

6.2 Position of the Keys

NOTICE

Damage to the inverter through manipulation after unauthorised access

If the key remains in the door lock, the inverter can be opened by unauthorised persons.

- Remove the keys from the door locks and from the key switch.
- Store the keys in a safe place.

The keys are in a bag attached to the door of the connection cabinet. The bag contains:

- 2 keys for the key switch under the display
- 2 keys for the inverter doors

6.3 Unpacking the Filter Plate and Kick Plates

6.3.1 Unpacking the Filter Plate and Kick Plates of the Sunny Central CP

1. Open the filter plate shipping carton.
2. Remove the filter plate and kick plates.

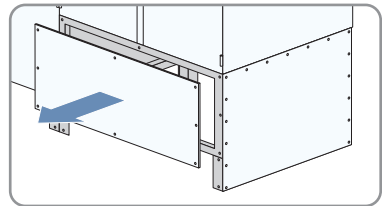
6.3.2 Unpacking the Kick Plates of the Sunny Central HE

The Sunny Central HE kick plates are stored in the connection cabinet.

6.4 Unpacking the Accessories

The accessories shipping carton is stored in the inverter connection cabinet.

1. Remove the screws of the front panel of the connection cabinet.
2. Pull off the front panel to the front.



3. Cut through and remove the cable tie used to attach the accessories shipping carton in the inverter.
4. Remove the shipping carton from the connection cabinet.
5. Unpack the accessories.
6. Remount the front panel of the connection cabinet

6.5 Removing the Touch Display Packaging

NOTICE

Damage to the touch display through sharp objects

The touch display can be scratched by sharp objects during removal of the packaging.

- Only remove the display packaging once all assembly work and installation work on the inverter is finished.

1. Remove the adhesive tapes.
2. For the Sunny Central CP, push the cover upwards.
3. Pull the protective foil from the display.

7 Scope of Delivery

Check the delivery for completeness and any visible external damage. In the event of an incomplete delivery or damage, contact your specialty retailer.

Sunny Central CP

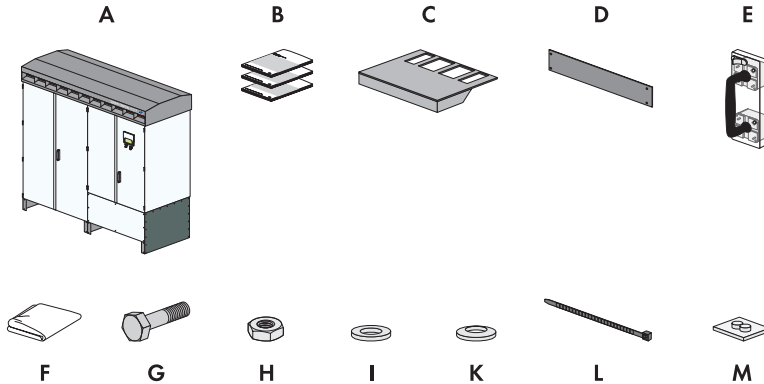


Figure 10: Component parts of the delivery

Position	Quantity	Designation
A	1	Sunny Central
B	1	Installation manual, user manual, circuit diagram, commissioning report
C	1	Air baffle with filter frame
D	5	Kick plate
E	1	LV/HRC fuse handle**
F	1	Cleaning cloth
G	34/6*	Screw
H	34/6*	Nut
I	68/12*	Fender washer
K	68/12*	Spring washer
L	80	Cable tie
M	3	Rubber seal (9.5 mm ... 16 mm)

* Quantity for the Optiprotect order option

** With DC fuse order option

Sunny Central HE

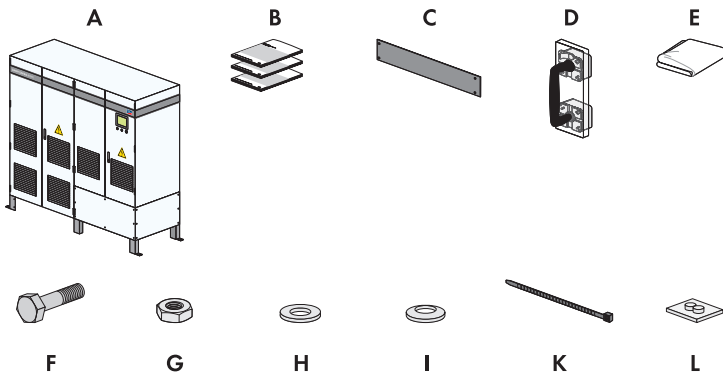


Figure 11: Component parts of the delivery

Position	Quantity	Designation
A	1	Sunny Central
B	1	Installation manual, user manual, circuit diagram, commissioning report
C	6	Kick plate
D	1	LV/HRC fuse handle*
E	1	Cleaning cloth
F	34	Screw
G	34	Nut
H	68	Fender washer
I	68	Spring washer
K	80	Cable tie
L	3	Rubber seal (9.5 mm ... 17 mm)

* With the DC fuses order option, the LV/HRC fuse handle is to be found in the inside of the right-hand door of the connection cabinet.

8 Transport Packaging Dimensions

The dimensions are given in width x height x depth.

Sunny Central HE

Transport case	2 900 mm x 1 150 mm x 2 580 mm
Wooden pallet	2 890 x 1 115 x 179 mm
Shipping packaging	4 659 x 2 295 x 5 mm
Lid	2 635 x 1 060 x 100 mm
Transport protection cover	3 600 x 1 050 x 2 300 mm
Weight of the inverter	1 900 kg
Weight of the packed inverter with transport case	2 280 kg

Sunny Central CP

Transport case	2 900 mm x 1 150 mm x 2 580 mm
Wooden pallet	2 890 x 1 115 x 179 mm
Shipping packaging	4 626 x 2 295 x 5 mm
Lid	3 263 x 1 649 x 300 mm
Transport protection cover	3 600 x 1 050 x 2 300 mm
Weight of the inverter	1 800 kg
Weight of the packed inverter with transport case	2 180 kg

9 Contact

If you have technical problems concerning our products, contact the SMA Service Line. We require the following information in order to provide you with the necessary assistance:

- Device type and serial number of the inverter (see the inverter installation manual).

SMA Solar Technology AG

Sonnenallee 1
34266 Niestetal
www.SMA.de

SMA Service Line

Tel. +49 561 9522 299
Fax: +49 561 9522 3299
E-Mail: SunnyCentral.Service@SMA.de

The information contained in this document is the property of SMA Solar Technology AG. Publishing its content, either partially or in full, requires the written permission of SMA Solar Technology AG. Any internal company copying of the document for the purposes of evaluating the product or its correct implementation is allowed and does not require permission.

Exclusion of liability

The general terms and conditions of delivery of SMA Solar Technology AG shall apply.

The content of these documents is continually checked and amended, where necessary. However, discrepancies cannot be excluded. No guarantee is made for the completeness of these documents. The latest version is available online at www.SMA.de or from the usual sales channels.

Guarantee or liability claims for damages of any kind are excluded if they are caused by one or more of the following:

- Damages during transportation
- Improper or inappropriate use of the product
- Operating the product in an unintended environment
- Operating the product whilst ignoring relevant, statutory safety regulations in the deployment location
- Ignoring safety warnings and instructions contained in all documents relevant to the product
- Operating the product under incorrect safety or protection conditions
- Altering the product or supplied software without authority
- The product malfunctions due to operating attached or neighboring devices beyond statutory limit values
- In case of unforeseen calamity or force majeure

The use of supplied software produced by SMA Solar Technology AG is subject to the following conditions:

- SMA Solar Technology AG rejects any liability for direct or indirect damages arising from the use of software developed by SMA Solar Technology AG. This also applies to the provision or non-provision of support activities.
- Supplied software not developed by SMA Solar Technology AG is subject to the respective licensing and liability agreements of the manufacturer.

SMA Factory Warranty

The current guarantee conditions come enclosed with your device. These are also available online at www.SMA.de and can be downloaded or are available on paper from the usual sales channels if required.

Trademarks

All trademarks are recognized even if these are not marked separately. Missing designations do not mean that a product or brand is not a registered trademark.

The *Bluetooth*[®] word mark and logos are registered trademarks owned by Bluetooth SIG, Inc. and any use of such marks by SMA Solar Technology AG is under license.

SMA Solar Technology AG

Sonnenallee 1

34266 Niestetal

Germany

Tel. +49 561 9522-0

Fax +49 561 9522-100

www.SMA.de

E-Mail: info@SMA.de

© 2004 to 2012 SMA Solar Technology AG. All rights reserved

SMA Solar Technology

www.SMA-Solar.com

SMA Solar Technology AG

www.SMA.de

SMA America, LLC

www.SMA-America.com

SMA Technology Australia Pty., Ltd.

www.SMA-Australia.com.au

SMA Benelux SPRL

www.SMA-Benelux.com

SMA Beijing Commercial Co., Ltd.

www.SMA-China.com

SMA Czech Republic s.r.o.

www.SMA-Czech.com

SMA France S.A.S.

www.SMA-France.com

SMA Hellas AE

www.SMA-Hellas.com

SMA Ibérica Tecnología Solar, S.L.

www.SMA-Iberica.com

SMA Italia S.r.l.

www.SMA-Italia.com

SMA Technology Korea Co., Ltd.

www.SMA-Korea.com

